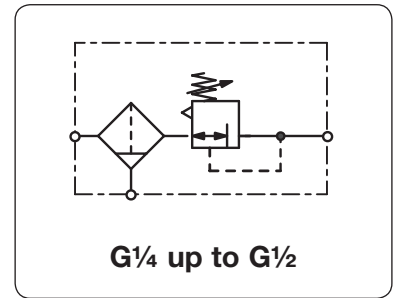


Description	Filter pressure regulator with high flow and of small design.	
Media	compressed air or non-corrosive gases	
Supply pressure	max. 17 bar for metal bowl with sight glass, max. 21 bar for metal bowl without sight glass	
Adjustment	by plastic knob with snap-lock at B11,	by T-handle with locknut at B12
Relieving function	relieving	
Gauge port	G $\frac{1}{4}$ on both sides of the body, screw plugs supplied	
Filter element	40 μ m, optionally 5 μ m, made of polypropylene	
Bowl	metal version with sight glass, optionally without	
Drain	manual drain as standard, for max. 21 bar semiautomatic or automatic drain as option, for max. 12 bar	
Temperature range	0 °C to 70 °C / 32 °F to 158 °F for metal bowl with sight glass 0 °C to 80 °C / 32 °F to 176 °F for metal bowl without sight glass 0 °C to 50 °C / 32 °F to 122 °F for semiautomatic or automatic drain	
Material	Body: zinc die-cast Inner valve: brass, optionally stainless steel Spring cage: glass fibre-reinforced plastic at B11,	Bowl: zinc die-cast Elastomer: NBR/Buna-N, optionally FKM zinc die-cast at B12



Dimensions			Bowl	Flow	Supply	Pressure	Order
A	B	C	Design	Capacity	rate	max.	number
mm	mm	mm	made of / with	l	m 3 /h*1	l/min*1	bar

"Midi" filter regulator								manual drain, relieving, max. 17 bar without pressure gauge, 40 μ m filter element	B11	
60	210	120	metal / sight glass	0.12	120	2000	17	G $\frac{1}{4}$	0.2 ... 1.8 0.2 ... 4.0 0.3 ... 9.0 0.5 ... 17	B11-02WJA B11-02WJB B11-02WJC B11-02WJD
60	210	120	metal / sight glass	0.12	132	2200	17	G $\frac{3}{8}$	0.2 ... 1.8 0.2 ... 4.0 0.3 ... 9.0 0.5 ... 17	B11-03WJA B11-03WJB B11-03WJC B11-03WJD
60	210	120	metal / sight glass	0.12	138	2300	17	G $\frac{1}{2}$	0.2 ... 1.8 0.2 ... 4.0 0.3 ... 9.0 0.5 ... 17	B11-04WJA B11-04WJB B11-04WJC B11-04WJD



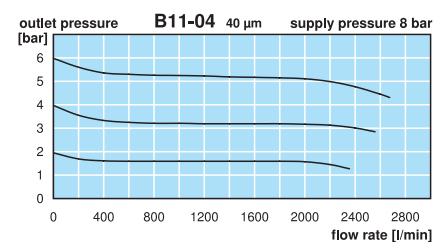
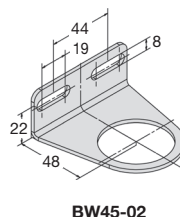
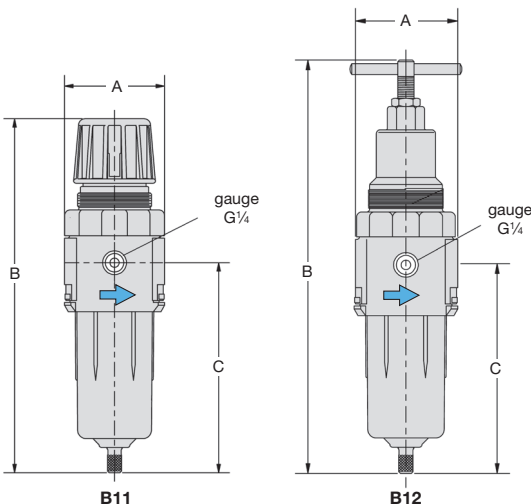
Special options, add the appropriate letter

T-handle	locknut included, height 215 mm	B12-0
5 μm filter element		B11-0 G
bowl w/o sight glass	max. 21 bar, 0 °C to 80 °C / 32 °F to 176 °F, for appropriately conditioned compressed air down to -30 °C/-22 °F	B11-0 . D . .
NPT	connection thread	B11-0 N
non-relieving	without relieving function	B11-0 K
semiautomatic drain	RK500SY, max. 12 bar	B11-0 M
automatic drain	SA605MD, max. 12 bar	B11-0 R
FKM elastomer	inner parts made of brass	B11-0 X64



Accessories, enclosed

pressure gauge	Ø 50 mm, 0 ... *2 bar, G $\frac{1}{4}$	MA5002- . . *2
mounting bracket	made of steel	BW45-02
mounting bracket	made of plastic	M45x1,5K
	made of aluminium	M45x1,5A



*1 at 8 bar supply pressure, 6 bar outlet pressure and 1 bar pressure drop
*2 02 = 0...2.5 bar, 04 = 0...4 bar, 10 = 0...10 bar, 25 = 0...25 bar

Extensions: see chapter for FRL service units
Gauges: see chapter for measuring devices
Spare parts: see separate spare parts list

PDF CAD
www.aircom.net

Order example:
B11-02WJA